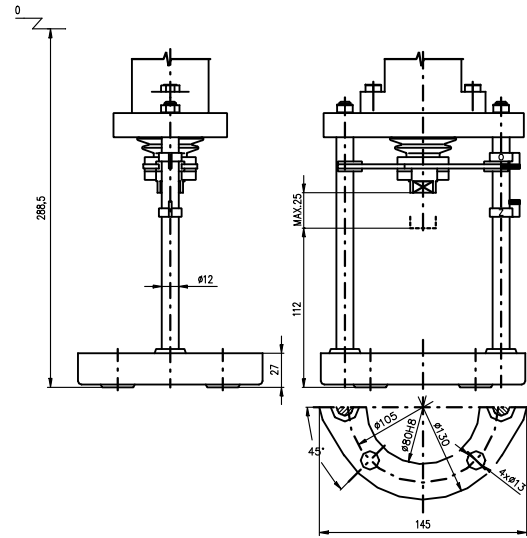
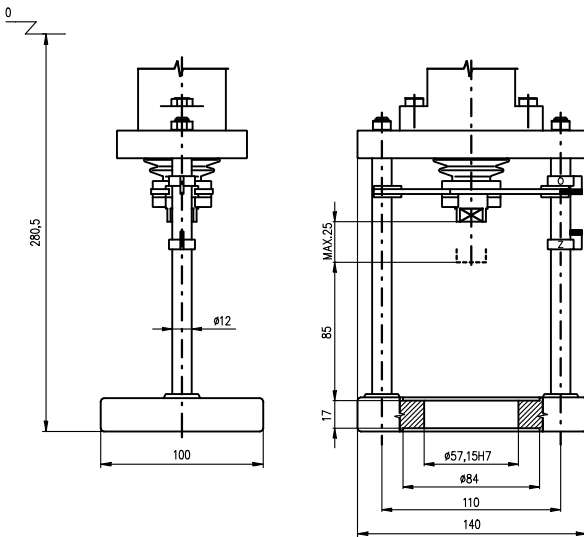


P-1182/M	110	40	285.5
P-1182/L	103	25	281.5
	L	Z	M

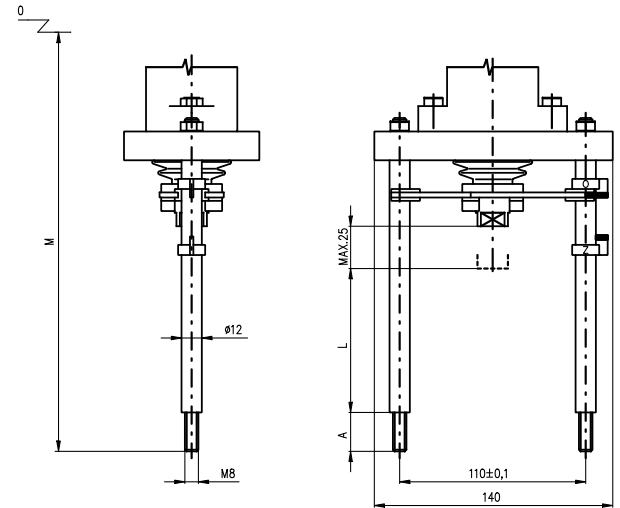
P-1182



P-1183/L

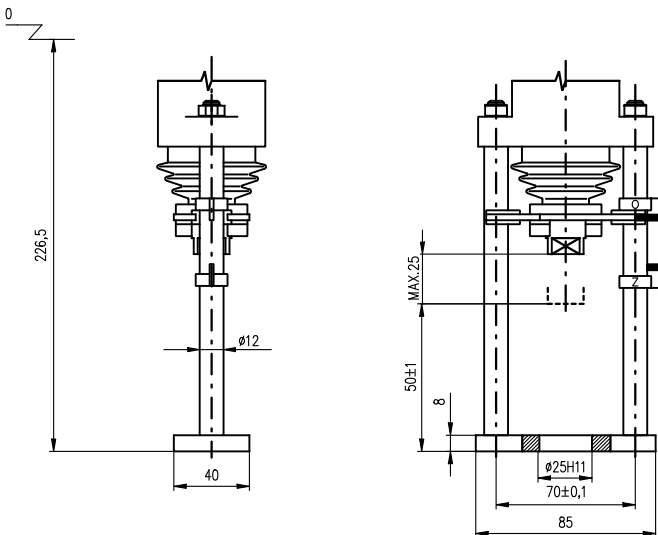


P-1184/L

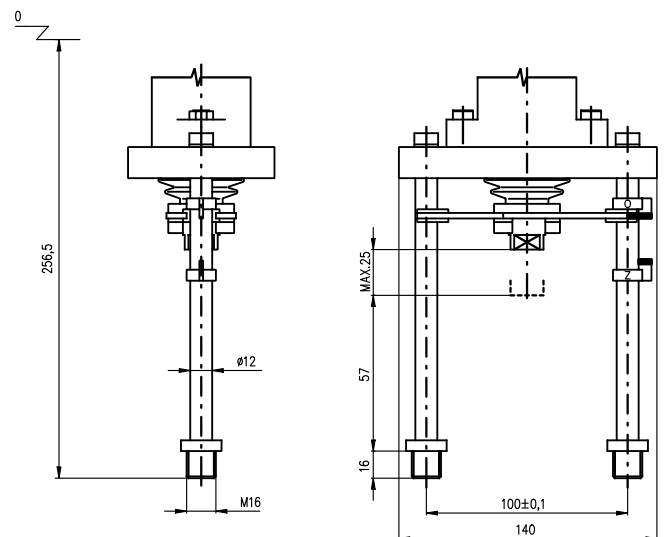


P-1185/M	110	18	304.5
P-1185/L	85	23	284.5
	L	A	M

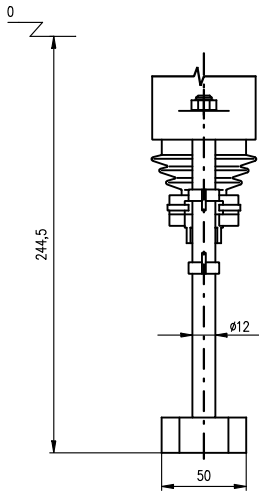
P-1185



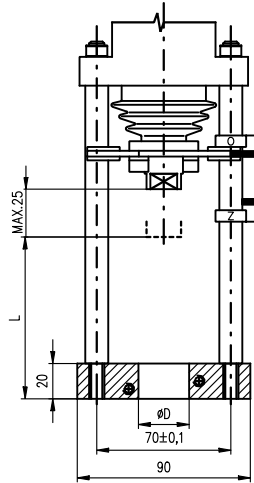
P-1307/L



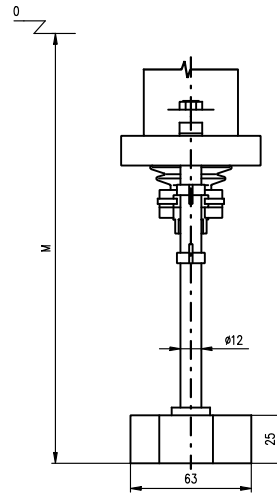
P-1309/L



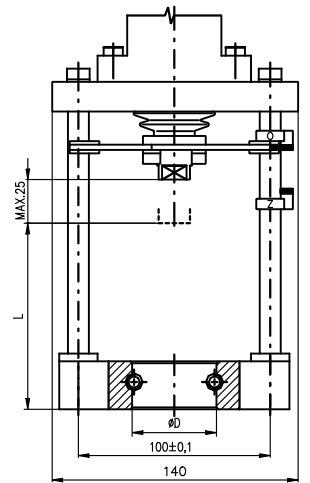
P-1375/M	66	40H9
P-1375/L	62	32H9
	L	øD



P-1375

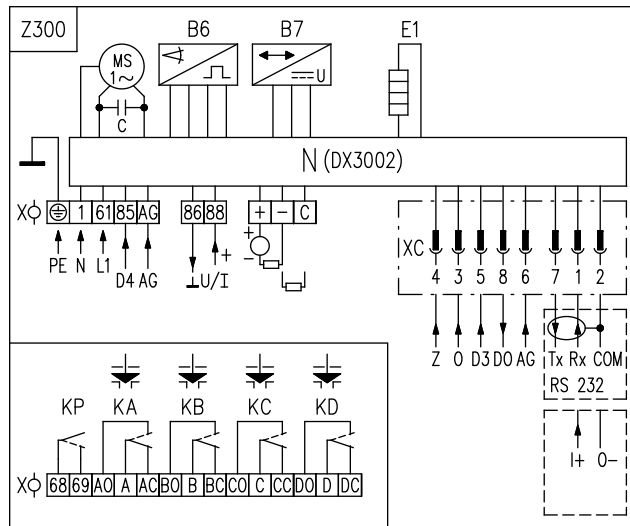


P-1385/N	86	60	267
P-1385/M	59	38	240
P-1385/L	53	44	234
	L	øD	M



P-1385

STR 0P



- B6 .....
- B7 .....
- MS .....
- C .....
- E1 .....
- N .....
- X .....
- XC .....
- KP .....
- KA,KB,KC,KD ...
- U/I .....
- Tx,Rx,COM .....
- I+, O- .....
- Z,O,D3,DO,AG..
- D4 .....
- +,-,C .....
- passive .....
- active .....

( ERROR ) RS 232

( , ) RS 232

( ) G

( 15 30 V DC

1. 24 V AC PE..

2. KA,KB,KC,KD

3. KP